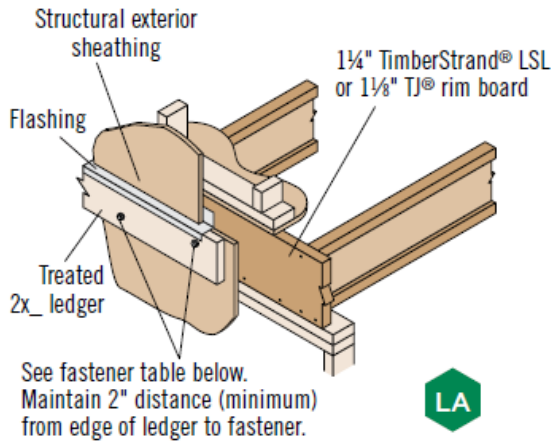


Trus Joist® 1 ¼" TimberStrand® LSL Rim Board and 1 ½" TJ® Rim Board Deck Ledger Attachment.

Connections between a deck ledger and rim board are critical for the stability of residential outdoor decks. The table below gives allowable lag and through-bolt on-center spacing based on typical residential deck joist spans.

Exterior Deck Attachment



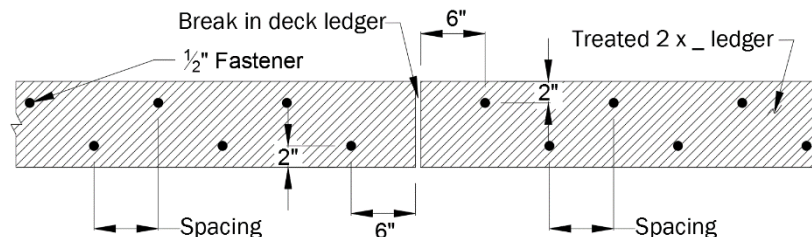
Treated deck ledgers must be properly flashed to ensure rim board is protected from moisture and ensure connections perform.

ALLOWABLE DECK LEDGER FASTENER SPACING

Rim Board Product	Residential Deck Joist Span					
	8'-0"	10'-0"	12'-0"	14'-0"	16'-0"	18'-0"
1 ¼" TimberStrand® LSL	36"	28"	24"	20"	18"	16"
1 ½" TJ® Rim Board	28"	22"	18"	16"	14"	12"

General Notes

- Assumes simple spans only.
- Fastener spacing are for ½" lag bolts and ½" through-bolts.
- Through-bolts require washers. Bolt holes maximum 9/16".
- 2" minimum top and bottom edge distance shown in the figure below also apply to the rim board.
- Allowable fastener loads determined in accordance with acceptance criteria ASTM D7672.
- Corrosion-resistant fasteners required for wet-service applications.
- Fastener spacing assumes uniform vertical loads of 40 PSF Live Load and 10 PSF Dead Load deck loads.
- Other loads may control the deck ledger design (e.g. concentrated, wind, snow, and seismic).
- Lateral restraining connections may be required. Refer to 2012 IRC R507.2.3, 2015 IRC R507.2.4, and the WIJMA Deck Connection Details.
- When designing bolts through the face and lateral loading is perpendicular to the grain, use an equivalent specific gravity of SG = 0.50. When lateral loading is parallel to the grain use SG = 0.38.



▲ Weyerhaeuser, Flak Jacket, Forte, Javelin, Microllam, Parallam, TimberStrand, TJ, TJI, and Trus Joist are registered trademarks and Edge Gold, TJ-Pro are trademarks of Weyerhaeuser NR. © 2017 Weyerhaeuser NR Company. All rights reserved.