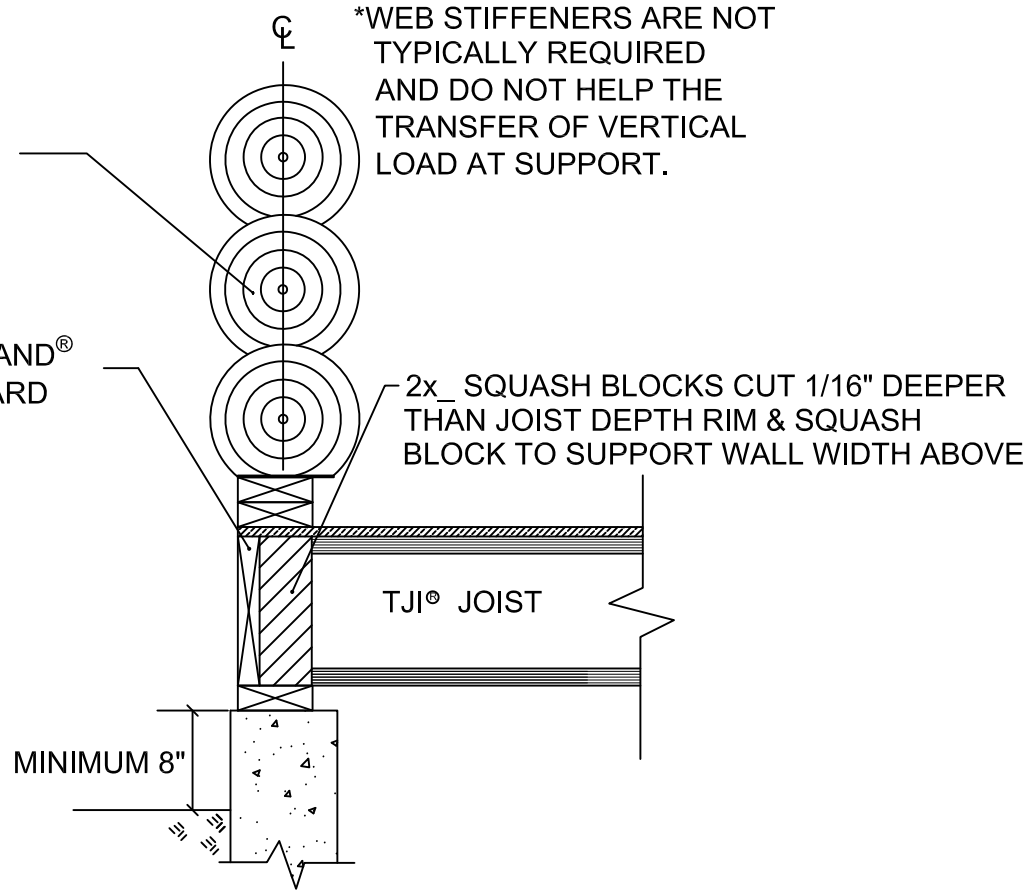
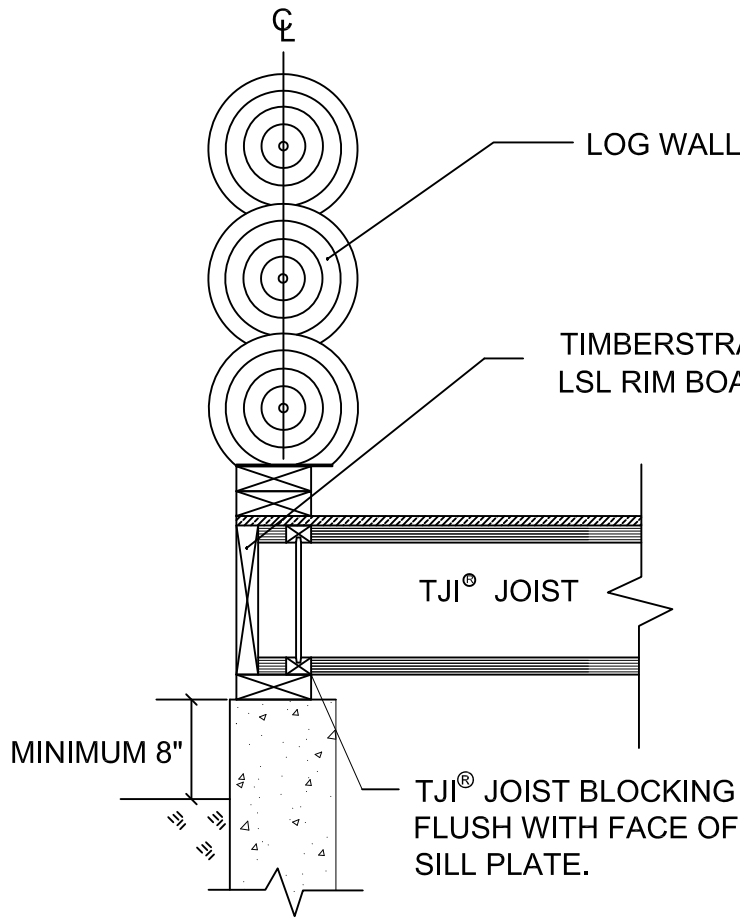


**TJI® BLOCKING PANELS**

**SQUASH BLOCKING**



\*WEB STIFFENERS ARE NOT TYPICALLY REQUIRED AND DO NOT HELP THE TRANSFER OF VERTICAL LOAD AT SUPPORT.

**VERTICAL LOAD CAPACITY:**

- 1-1/4" 1.3E TIMBERSTRAND® LSL = 5,000 PLF (16" DEEP OR LESS)
- 1-3/4" 1.3E TIMBERSTRAND® LSL = 7,560 PLF (20" DEEP OR LESS)
- TJI® JOIST BLOCKING = 2,100 PLF
- SQUASH BLOCKS = 4,050 LBS PER PAIR

**NOTE:** WHEN THE CENTER LINE OF A LOG WALL EXTENDS FARTHER INTO THE SPAN OF THE JOIST THAN THE TYPICAL 2x4 OR 2x6 WALL, ADDITIONAL BLOCKING IS RECOMMENDED. THIS HELPS TRANSFER VERTICAL LOAD AND PREVENTS POTENTIAL CRUSHING OF THE JOIST. THE CENTER LINE MAY NOT EXTEND PAST THE INSIDE FACE OF ADDED MATERIAL.



Weyerhaeuser prepared this drawing for the specification of Trus Joist products based on project information provided to us. This service is solely intended for product application assurance, and is not intended to document the need for a design professional as determined by the building codes. The designer of record and/or builder/framer is responsible to assure these drawings are compliant with the over all project.  
Copyright 2008 Weyerhaeuser NIR Company. All rights reserved. Any unauthorized copying or reproduction will constitute an infringement of copyright.

**RECOMMENDED SUPPORT FOR LOG WALL**

EXPIRATION DATE: JANUARY 2025


PROJECT #:

SERVICE #:

SHEET:

NW-D206

**Trus Joist Product Technical Support**

Phone: (888) 453-8358

Email: TechSupport@wy.com

\* FOR PARALLEL SIDES, RUN A SECOND RIM BOARD ON THE INSIDE EDGE OF SILL PLATE.