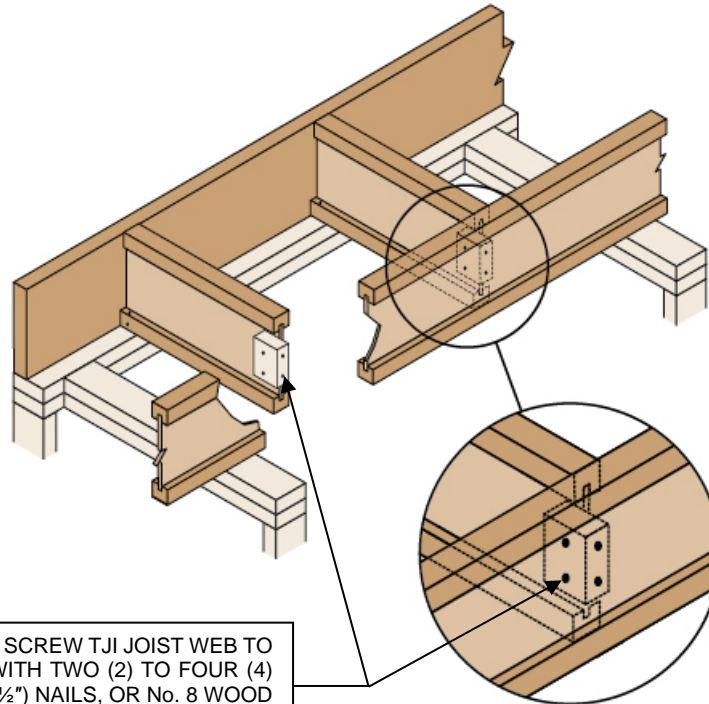


**Parallel Joist TJI® Blocking with End Blocks**



**Recommend applying subfloor adhesive to all contact surfaces**

[TYP] NAIL OR SCREW TJI JOIST WEB TO END BLOCK WITH TWO (2) TO FOUR (4) 8d (0.113" X 2 1/2") NAILS, OR No. 8 WOOD SCREWS (LENGTH ≈ 2 1/2")

**General Notes**

- Toe-nailed flange connections are not recommended due to potential for splitting and floor squeaks.
- End bay blocking material type and spacing per the design professional of record.
- Refer to construction documents for wall plate and sheathing connections.
- Detail is not intended for vertical load transfer. If vertical load transfer is required, use appropriate hanger connection and back block as directed by the design professional of record.
- One (1), max 6" diameter hole allowed for blocking depth = 9 1/2" (max 8" diameter hole for blocking depths ≥ 11 7/8").
  - Hole must be vertically and horizontally centered in web of blocking member.

If you have any questions, please feel free to contact your Weyerhaeuser representative.