

1 1/2" TJI® Joist Web Hole Proximity Rule

For TJI® joists, the minimum standard requirement for clear distance, edge-of-hole to edge-of-hole, between web holes, is two times the diameter, or length, of the larger hole. Hole information is outlined in Weyerhaeuser's Specifier's Guides, [TJ-4000](#), [TJ-4500](#), and [TJ-4510](#), and is maintained in design software, [Forte®](#) and [Javelin®](#).

For a round web hole with diameter up to 1 1/2", the minimum clear distance required from another web hole is 3". Proximity rules for 1 1/2" round web holes are summarized in Figure 1.

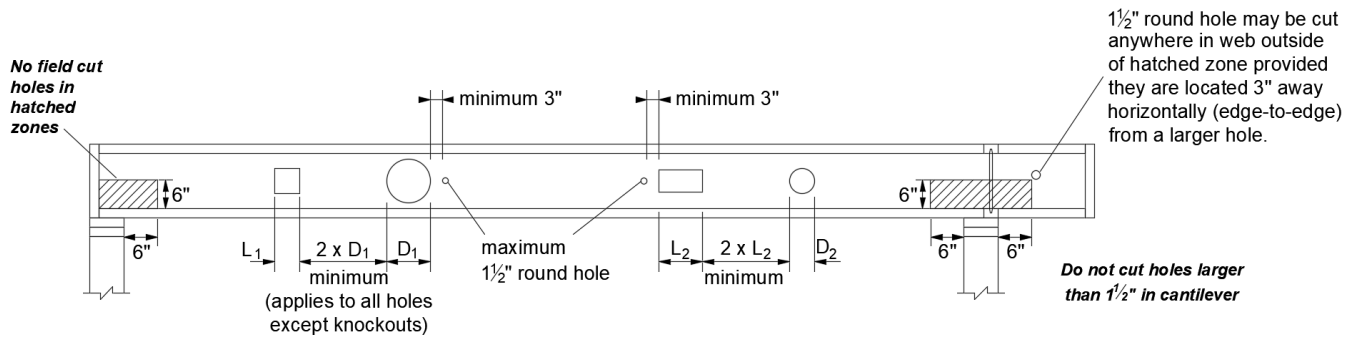


Figure 1: TJI® joist allowable holes, including note for 1 1/2" round web holes.

General Notes:

- Holes may be located vertically anywhere within the web. Leave 1/8" of web (minimum) at top and bottom of hole.
- Knockouts are located in web at approximately 12" on-center; they do not affect hole placement and may be located in the hatched zone.

If you have any questions, please contact your Weyerhaeuser representative.