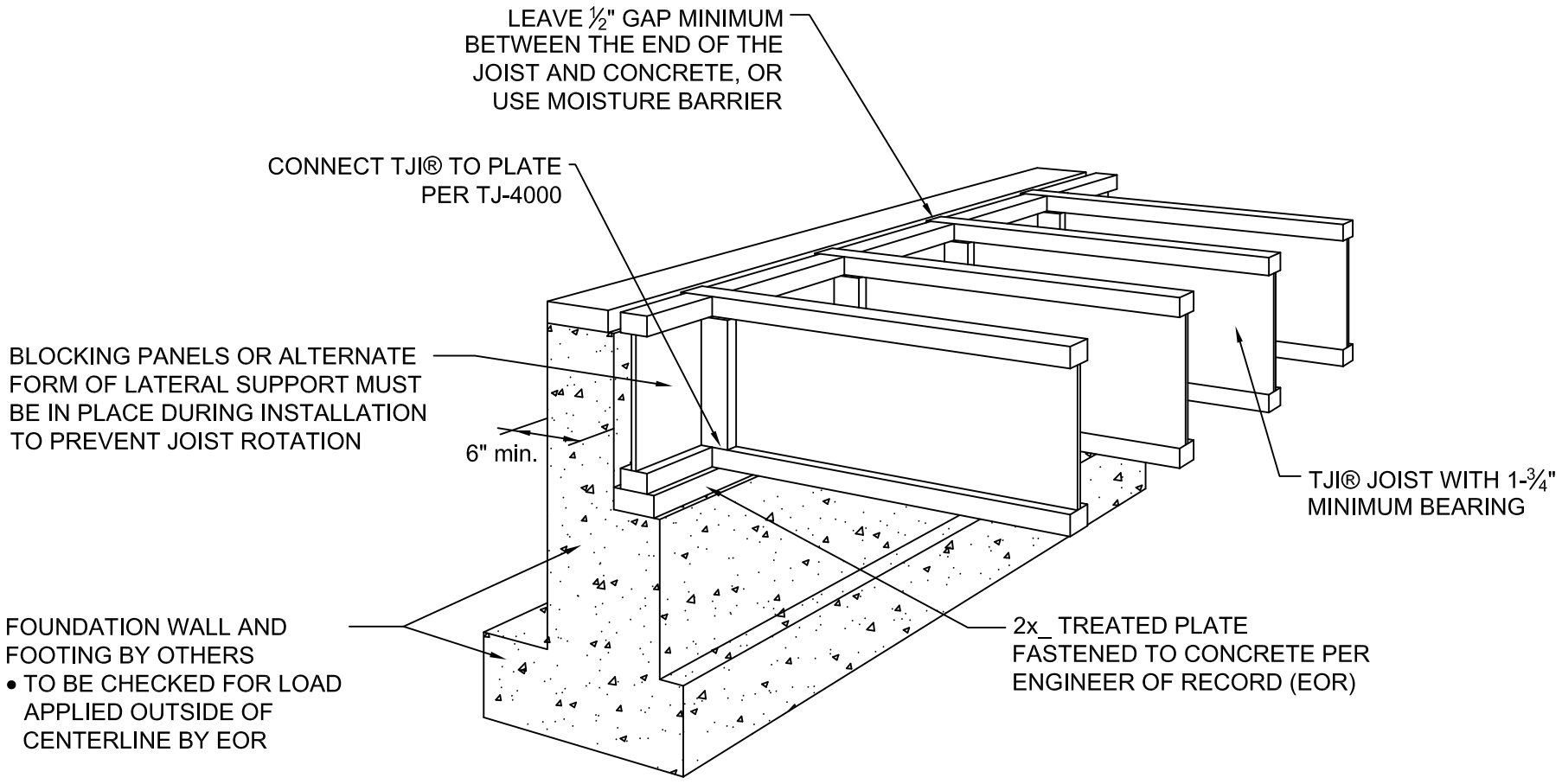


Weyerhaeuser prepared this drawing for the specification of Trus Joist products based on project information provided to us. This service is solely intended for product application assurance and is not intended to document the need for a design professional as determined by the building codes. The designer of record and/or builder/framer is responsible to assure these drawings are compatible with the over all project.

Copyright 2008 Weyerhaeuser NR Company. All rights reserved. Any unauthorized copying or reproduction will constitute an infringement of copyright.



BLOCKING PANELS OR ALTERNATE FORM OF LATERAL SUPPORT MUST BE IN PLACE DURING INSTALLATION TO PREVENT JOIST ROTATION

FOUNDATION WALL AND FOOTING BY OTHERS
 • TO BE CHECKED FOR LOAD APPLIED OUTSIDE OF CENTERLINE BY EOR

NOTE: FLOOR SHEATHING (NOT SHOWN FOR CLARITY) MUST ATTACH TO THE TJI® JOIST AND TREATED MUD SILL (CONNECTION PER DESIGNER)

TJI® JOISTS SUPPORTED BY TREATED PLATE ON CONCRETE CORBEL

EXPIRATION DATE: JANUARY 2027

PROJECT #:
 SERVICE #:
 SHEET:
NW-D218